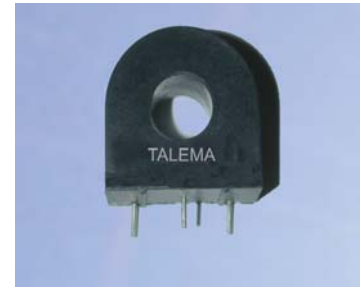




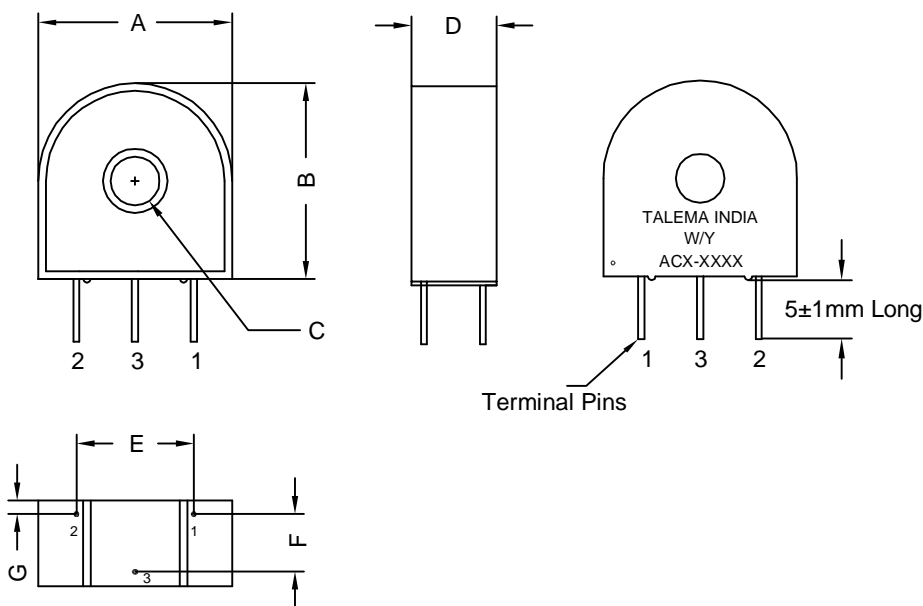
ACX Series High Accuracy Current Transformer

- Primary current range 50-150A
- 1% accuracy
- Operating frequency 50/60Hz
- Turns ratio 2500:1
- Rated burden resistance 33 Ω
- Dielectric with stand voltage 4KVrms
- Operating temperature range -40 to +85°C
- All materials UL94-V0



Electrical Specifications @ 20°C			Dimensions							
Part No	Current Rating in A	Winding Resistance Ω	A	B	C	D	E	F	G	Pins
ACX-1050	50	171	23.80	23.80	\varnothing 9.50	11.12	15.24	7.62	1.75	\varnothing 0.80
ACX-1075	75	227	30.20	30.20	\varnothing 11.40	14.30	20.32	10.16	2.08	\varnothing 1.00
ACX-1100	100	155	34.90	34.90	\varnothing 14.60	14.30	25.40	10.16	2.08	\varnothing 1.00
ACX-1150	150	135	38.10	38.10	\varnothing 14.60	15.90	33.00	10.16	2.85	\varnothing 1.00

Mechanical Drawing



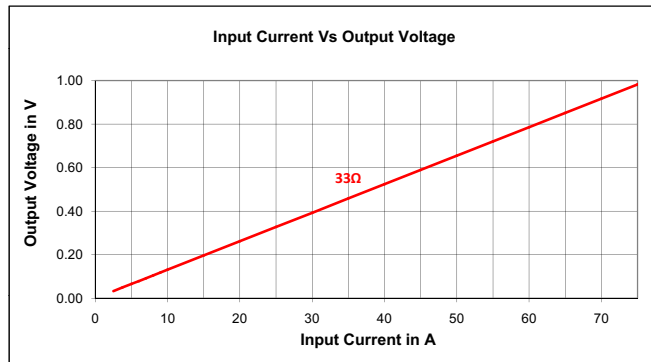
Notes

1. Dimensions unit : mm, Dimensional Tolerance : ± 0.25 mm (Unless specified), Pin Pitch Tolerance : ± 0.10 mm
2. Pin 3 for mechanical support only

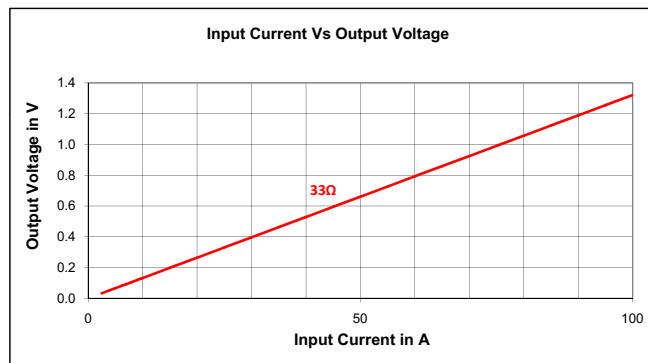


ACX Series High Accuracy Current Transformer

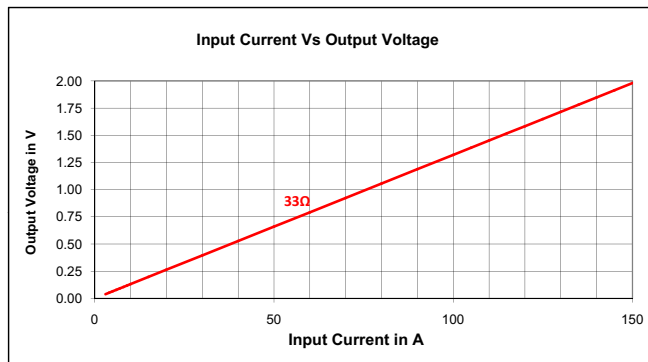
ACX-1050



ACX-1075



ACX-1100



ACX-1150

